



SECTION D Sliding Window and Door Hardware

Crest Locksets	D2
Endeavour Mortice Locksets	D3 - D6
Albany Mortice Locksets	D7
Sliding Door Accessories	D8 - D9

Crest Sliding Door Lock

Inspired by the beauty of the New Zealand environment, the Crest Sliding Door Handle offers a stylish, contemporary and attractive pull option for sliding doors.

With a large comfortable grip area, the Crest D Handle is ergonomically designed for use with the Pinnacle Sliding Door Lock. The lock has been developed with features designed to significantly improve functionality in sliding door applications.

The Crest range of furniture provides a cohesive appearance to the hardware on all doors and windows in the home.

Application

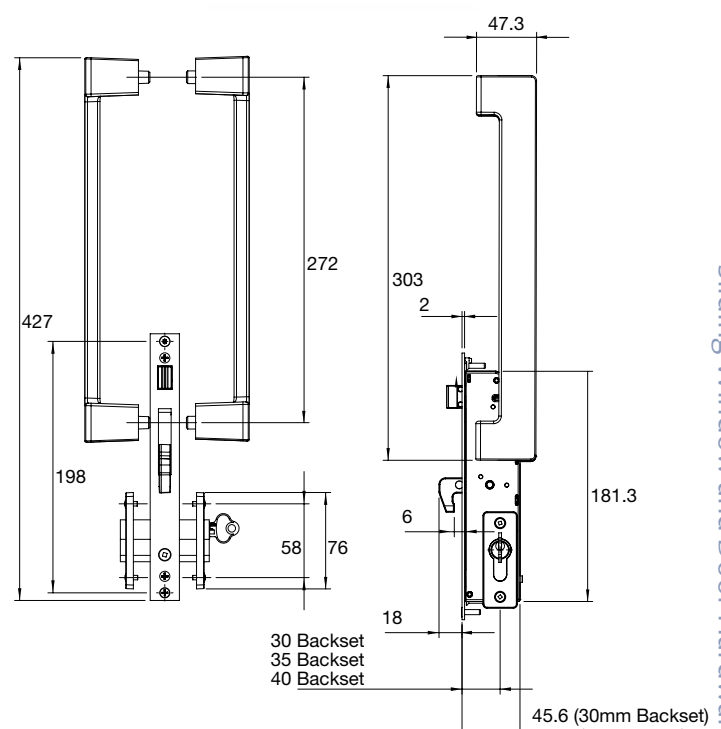
- Suitable for Residential, Architectural and Designer Thermal suites

Features

- New Zealand designed and made
- Deadbolt locking
- Can be keyed alike with other Crest hardware in the home for one key convenience
- Anti-lift design
- Anti-slam mechanism protects accidental damage to hook bolt when door is closed
- Adjustable strike
- Stainless steel forend plate
- Robust design
- Built to withstand a 4kN force entry load and 100,000 latching cycles
- Compatible with a range of Euro Cylinders

Options

- Double cylinder, cylinder and turnknob, half cylinder or half turnknob
- Available in a wide range of powdercoat colours and satin chrome



Aria Endeavour Sliding Door Lock



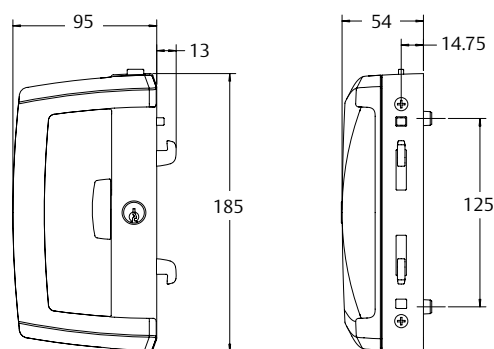
Suitable for use with aluminium, timber or uPVC horizontal sliding doors, the Aria Endeavour Surface Mounted Sliding Door Lock incorporates enhanced security and safety features. Styling cues are taken from the Aria design, enabling a consistent look throughout the home.

Features

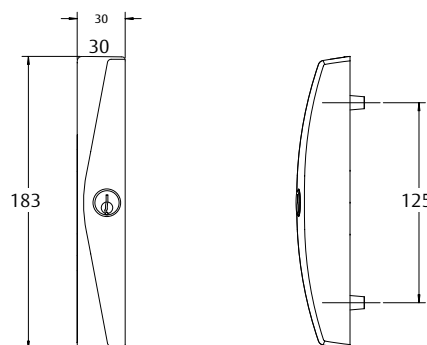
- Red deadlock indicator on internal handle activates when key deadlocked (deadlocking version only)
- Opposing anti-lift beaks for added security
- Anti-slam pin protects locking beaks from accidental damage
- Retrofittable - easily replaces most sliding door locks
- Non-handed lock chassis with intuitive downward snib motion to unlock
- Available with internal D handle or internal Pull
- Can be keyed alike to other ASSA ABLOY CYL4™ 5-Pin locks for one key convenience
- Achieves Australian Standards AS4145:2008 (Part 2) Security Level S4 and Durability Level D8
- New Zealand made

Options

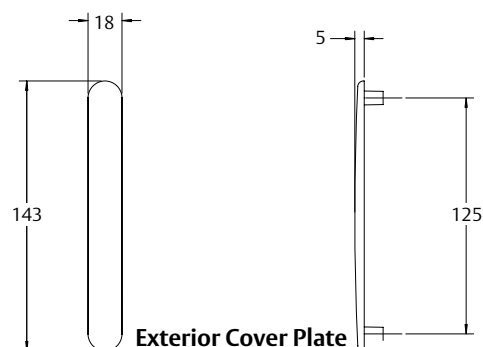
- Double cylinder deadlocking with Daylatch and deadlocking indicator
- Single cylinder locking with snib
- Trade pack range has additional locking options with D and Slim Pull handles, in a full range of powdercoat and plated finishes



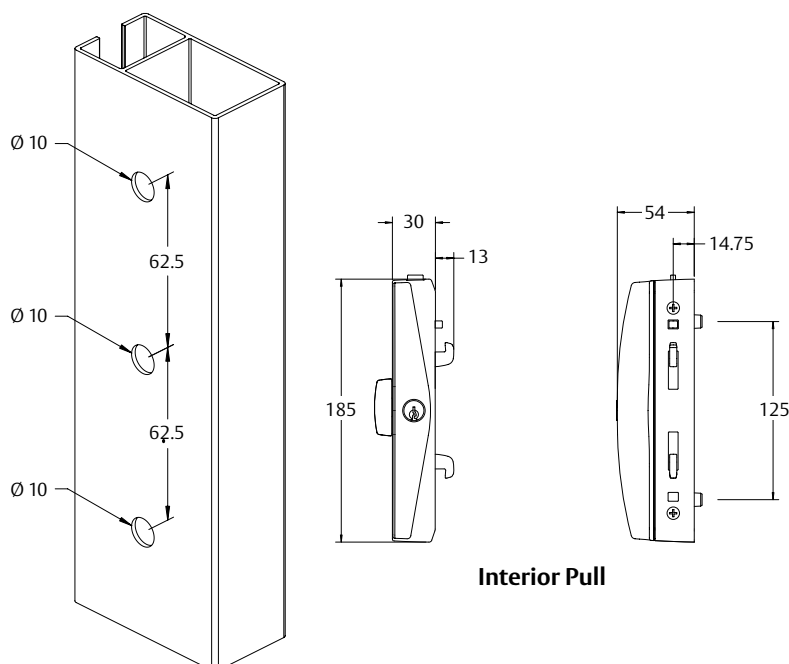
Interior D-Handle



Exterior Pull



Exterior Cover Plate



Interior Pull

Albany Endeavour Sliding Door Lock



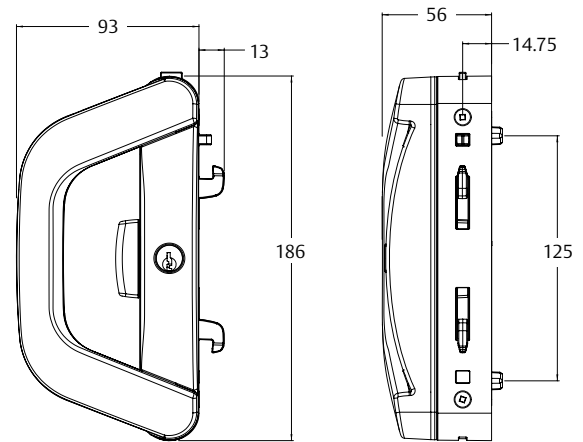
ASSA ABLOY have combined the iconic Albany furniture styling with the superior features of the Endeavour Surface Mounted Sliding Door Lockbody to create the Albany Endeavour. The Albany Endeavour offers improved functionality and performance, meeting Australasian standards in both security and durability. Easily retrofittable, and suitable for use with aluminium, timber or uPVC, the Albany Endeavour is the ideal choice for sliding door applications.

Features

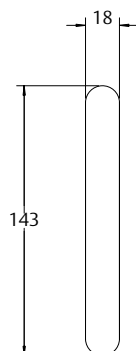
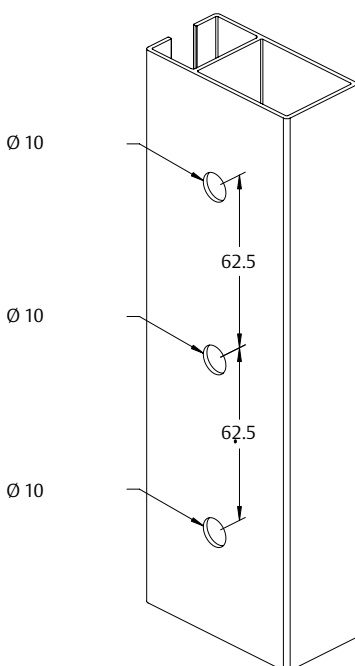
- Red deadlock indicator on internal handle activates when key deadlocked (deadlocking version only)
- Opposing anti-lift beaks for added security
- Anti-slam pin protects locking beaks from accidental damage
- Retrofittable - easily replaces most sliding door locks and aesthetically matches original Albany handle
- Non-handed lock chassis with intuitive downward snib motion to unlock
- Can be keyed alike to other ASSA ABLOY CYL4™ 5-Pin locks for one key convenience
- Achieves Australian Standards AS4145:2008 (Part 2) Security Level S4 and Durability Level D8
- New Zealand made

Options

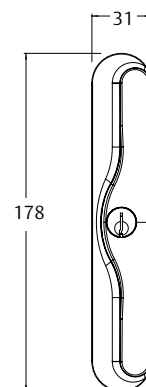
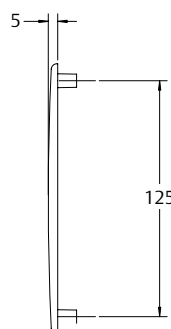
- Double cylinder deadlocking with Daylatch and deadlocking indicator
- Single cylinder locking with snib
- Trade pack range has additional locking options, in a full range of powdercoat and plated finishes



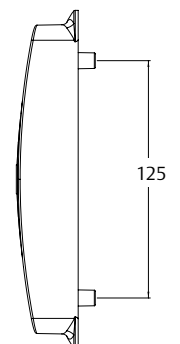
Interior D-Handle



Exterior Cover Plate



Exterior Pull



Aria Endeavour SBML



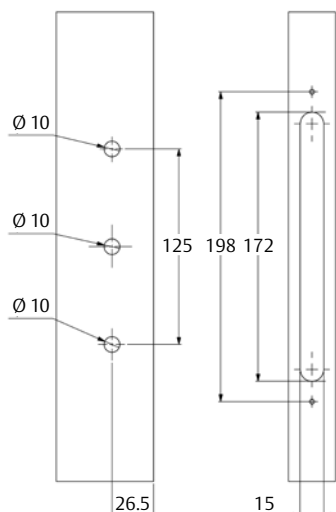
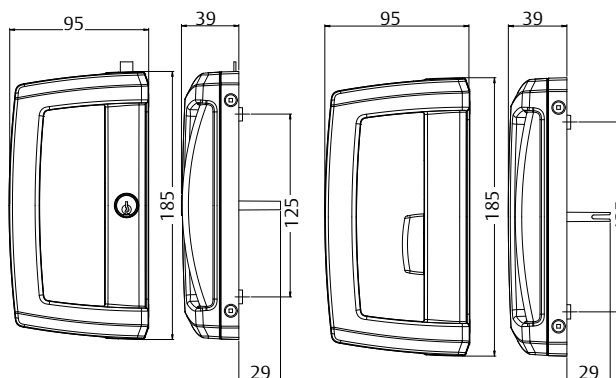
Combining the very popular Aria furniture styling with a concealed mortice style backset, the Endeavour Mortice lock offers the ultimate in residential sliding door hardware. The Endeavour mortice range is simple to operate, requires a single action to lock or unlock, and can be supplied in a wide range of finishes and keying options. Suitable for use with aluminium, timber or uPVC horizontal sliding doors and windows.

Features

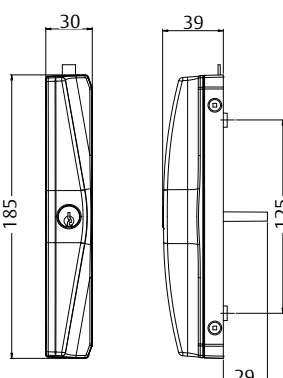
- Contemporary Aria styling combined with the concealed morticed lockset provides enhanced aesthetic styling and appearance
- One locking action activates two locking points
- Maximum door stile width 45mm
- Fully reversible for left or right-handed doors
- Anti-slam button prevents operation of the handle when the door is open, avoiding damage to the mechanism
- Opposing twin beaks prevent door being lifted from the track
- Unique red indicator on the deadlock shows when the door is locked
- Available in a full range of powdercoat and plated finishes
- Can be keyed alike to other Interlock supplied locks and a selection of security products as part of Interlock's "One Key" security programme
- Snib action always up to lock on left handed or right handed doors. Same action as Endeavour surface mounted locks

Options

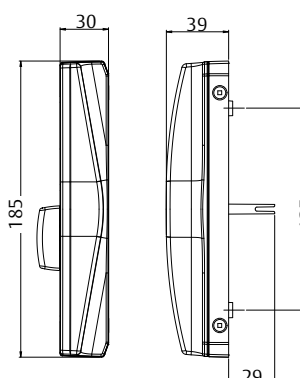
- Non-locking
- Locking
- Deadlocking
- Deadlocking inside only with Securiturn
- Dummy



Double Cylinder



Snib & Cylinder



Albany Endeavour SBML



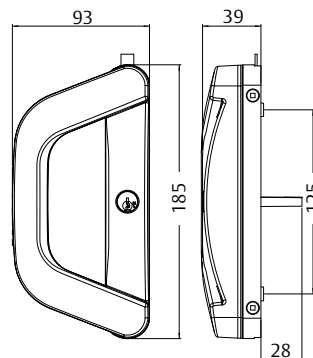
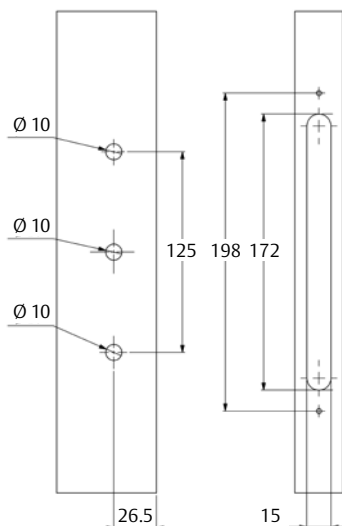
Combining the very popular Albany furniture styling with a concealed mortice style backset, the Albany Endeavour Mortice lock offers the ultimate in residential sliding door hardware. The Albany Endeavour mortice range is simple to operate, requires a single action to lock or unlock, and can be supplied in a wide range of finishes and keying options. Suitable for use with aluminium, timber or uPVC horizontal sliding doors and windows.

Features

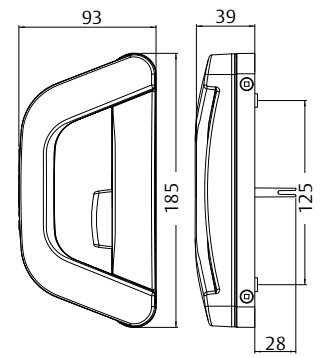
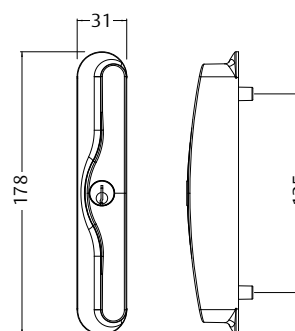
- Popular Albany styling combined with the concealed morticed lockset provides enhanced aesthetic styling and appearance
- One locking action activates two locking points
- Maximum door stile width 45mm
- Fully reversible for left or right-handed doors
- Anti-slam button prevents operation of the handle when the door is open, avoiding damage to the mechanism
- Opposing twin beaks prevent door being lifted from the track
- Unique red indicator on the deadlock shows when the door is locked
- Available in a full range of powdercoat and plated finishes
- Can be keyed alike to other ASSA ABLOY supplied locks and a selection of security products as part of the "One Key" security programme
- Non handed consistent snib movement

Options

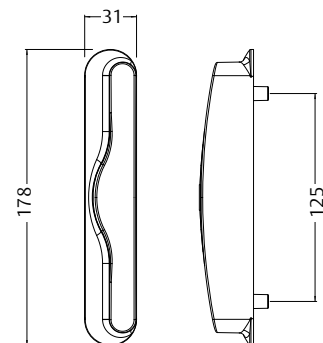
- Non-locking
- Locking
- Deadlocking
- Deadlocking inside only with Securiturn
- Dummy



Double Cylinder



Snib & Cylinder



Albany SBML 2-Point



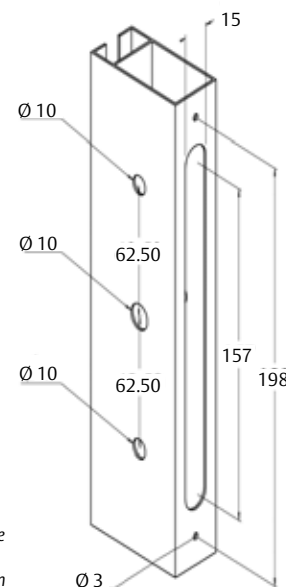
Combining the very popular Albany furniture styling with a concealed mortice style lockset, the Albany Mortice range of locks offers the ultimate in residential sliding door hardware. The Albany Mortice range is simple to operate and incorporates a one-action lock or unlock mode. It is supplied in a wide range of finishes and keying options. Suitable for use with aluminium, timber or uPVC horizontal sliding doors and windows.

Features

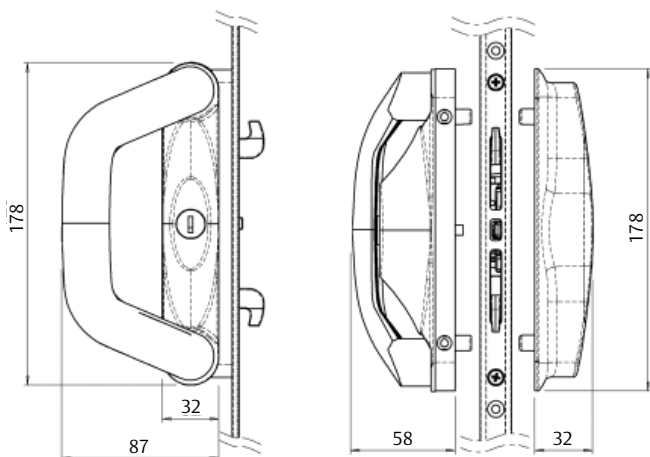
- Contemporary styling combined with the concealed morticed lockset provides enhanced aesthetics
- 2-point locking activated from one action
- Fully reversible for left or right-handed doors
- Anti-slam button prevents operation of the handle when the door is open, avoiding damage to the mechanism
- Opposing twin beaks prevent door being lifted from the track
- Unique red indicator on the deadlock shows when the door is unlocked
- Can be keyed alike to other ASSA ABLOY CYL4™ locks for one key convenience
- New Zealand made

Options

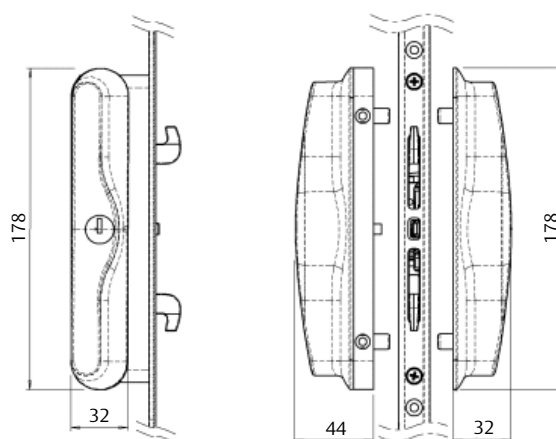
- Double cylinder deadlocking with Daylatch
- Single cylinder locking with snib
- Additional locking options available
- Available in a wide range of powdercoat colours and satin chrome finish



Note: Non-standard screws are required for door stile widths in excess of 56mm



Albany Grip - Standard External Pull



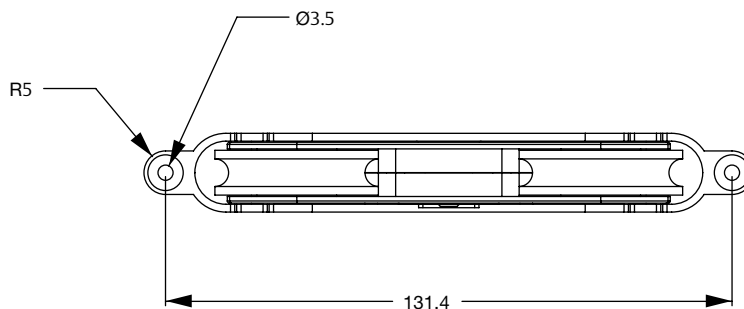
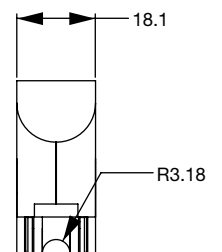
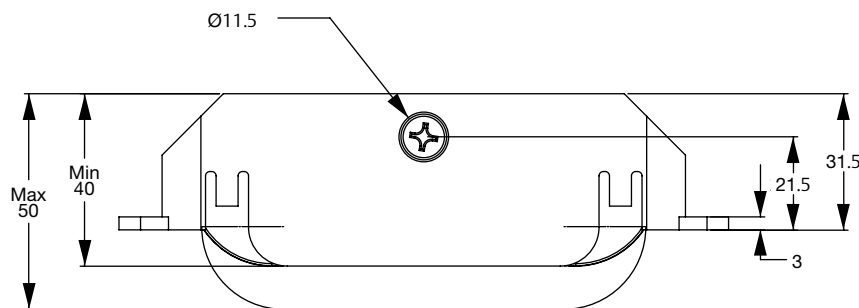
Standard External Pull Inside and Out

Side Adjusting Roller

Interlock's adjustable roller carriage is designed to support and transport aluminium, timber or uPVC horizontal sliding doors.

Features

- Each roller carriage wheel is inserted with a lubricated sealed ball bearing race to ensure a long, maintenance-free life
- Side adjusting roller carriage with up to 100kg carrying capacity
- The tyre profile of the wheel centralises the door panel about the track, providing a smooth, quiet sliding action
- Provides easily accessible, on-site, finite alignment of the door panel
- New Zealand made



Impact Doorstops

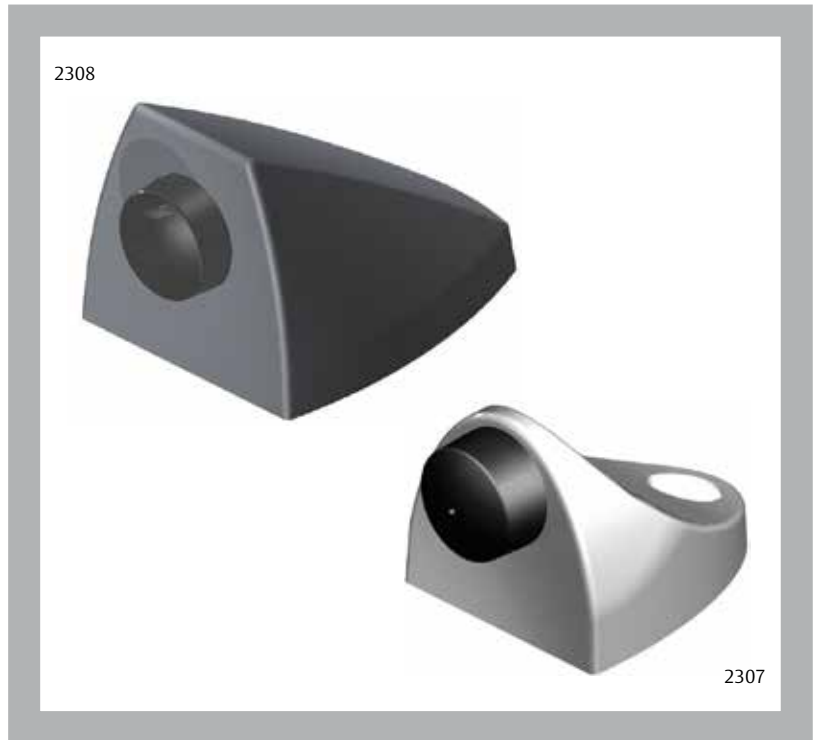
The Impact doorstop is designed to cushion the high impact of sliding doors and windows. With a secure and durable design, the Impact doorstop will prevent collision damage.

Features

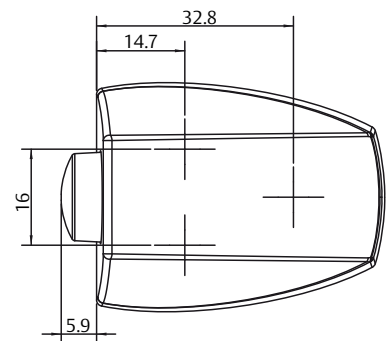
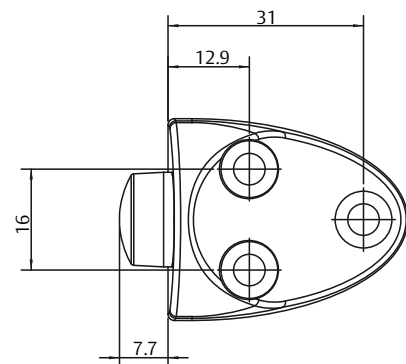
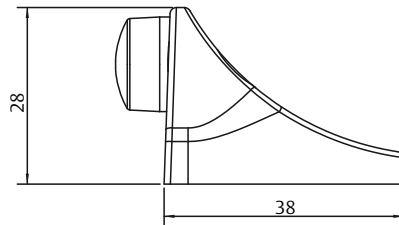
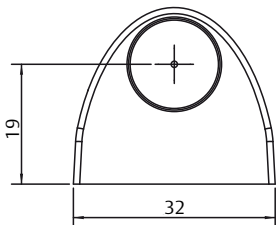
- Manufactured from high quality materials to provide an effective long-life doorstop
- 3 screw fixing points
- New Zealand made

Options

- A full range of powdercoat options are available for the uncovered and covered versions



2307



2308

